



MC10-15

SPEC SHEET

1,000 - 1,500 kg

MC Series

Counterbalanced
Stacker

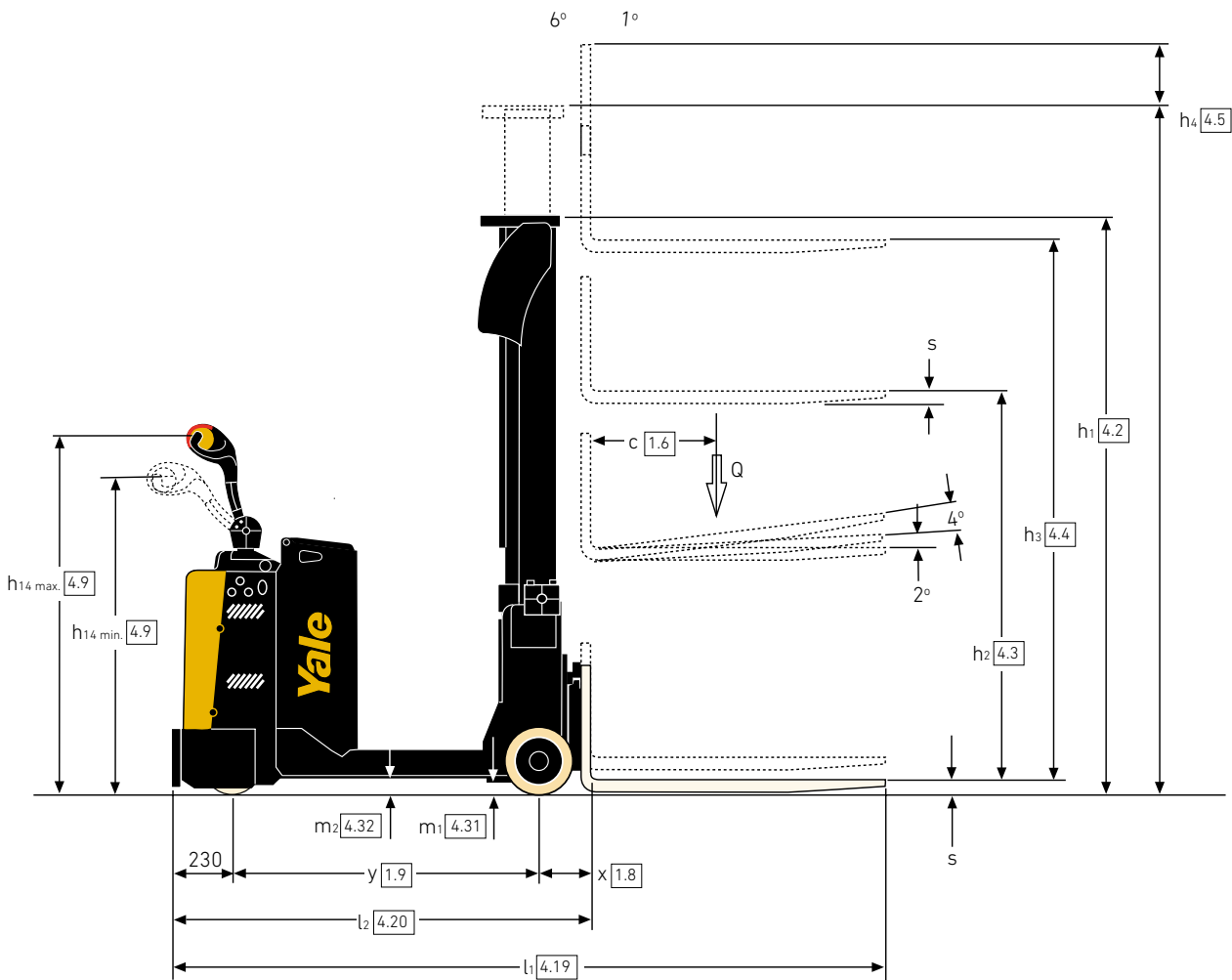
TRUCK DIMENSIONS – MC SERIES

$$Ast = Wa + R + a$$

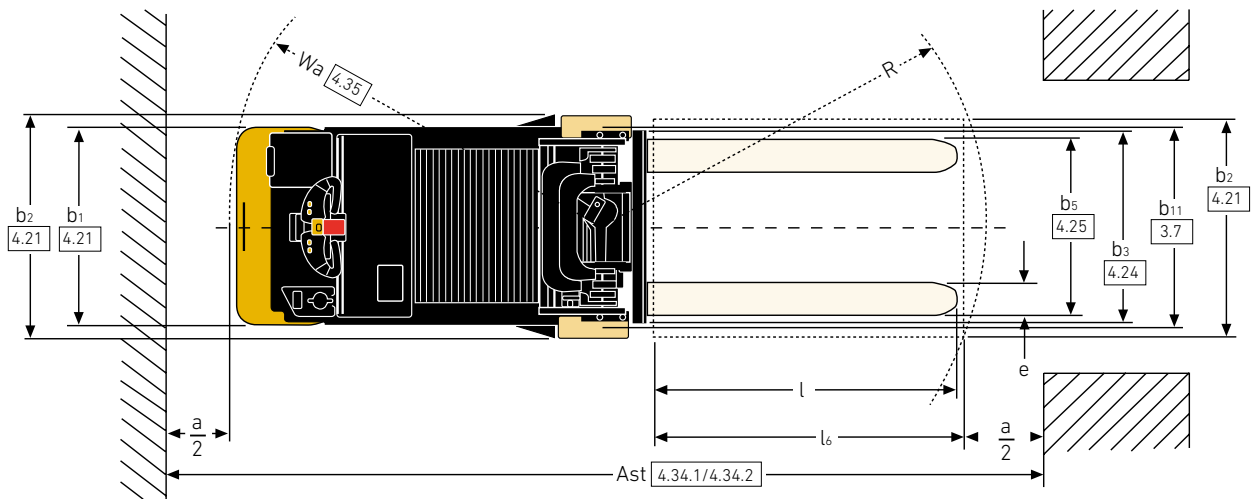
$$R = \sqrt{(l_6 + x)^2 + \frac{(b_{12})^2}{2}}$$

a = 200mm

l₆ = Load length



TRUCK DIMENSIONS – MC SERIES



VDI 2198 – GENERAL SPECIFICATIONS – MC SERIES

			Yale			
			MC10	MC12	MC15	
GENERAL	1.1	Manufacturer				
	1.2	Model designation				
	1.3	Drive	Battery			
	1.4	Operator type	Pedestrian			
	1.5	Rated capacity/Rated load	Q (t)	1.0	1.2	1.5
	1.6	Load centre distance	c (mm)	500		
	1.8	Load distance, centre of drive axle to fork	x (mm)	211		
	1.9	Wheelbase	y (mm)	1300	1450	1600
	WEIGHT	2.1	Service weight ⁽¹⁾	kg	2180	2280
2.2		Axle loading, laden front/rear	kg	520 / 2660	545 / 2935	515 / 3345
2.3		Axle loading, unladen front/rear	kg	1175 / 1005	1290 / 990	1420 / 940
TYRES	3.1	Tyres front/rear	NDIIThane			
	3.2	Tyre size, front	ø (mm x mm)	254 x 125		
	3.3	Tyre size, rear	ø (mm x mm)	200 x 100		
	3.5	Wheels, number front/rear (x = driven wheels)	1x/2			
	3.7	Tread, rear	b ₁₁ (mm)	837		
DIMENSIONS	4.2	Height, mast lowered ⁽²⁾	h ₁ (mm)	2325		
	4.3	Free lift	h ₂ (mm)	100		
	4.4	Lift	h ₃ (mm)	3372		
	4.5	Height, mast extended ⁽³⁾	h ₄ (mm)	3961		
	4.7	Height of overhead guard (cabin)	h ₆ (mm)	2312		
	4.9	Height drawbar in driving position min./max. ⁽⁴⁾	h ₁₄ (mm)	1180 / 1485		
	4.15	Height, lowered	h ₁₃ (mm)	35		
	4.19	Overall length	l ₁ (mm)	2742	2892	3042
	4.20	Length to face of forks	l ₂ (mm)	1742	1892	2042
	4.21	Overall width	b ₁ /b ₂ (mm)	788 / 939		
	4.22	Fork dimensions DIN ISO 2331 ⁽⁵⁾	s/e/l (mm)	35 / 100 / 1000		
	4.24	Fork carriage width	b ₃ (mm)	700		
	4.25	Forks spread	b ₅ (mm)	240 / 672		
	4.31	Ground clearance, laden, below mast	m ₁ (mm)	59		
	4.32	Ground clearance, centre of wheelbase	m ₂ (mm)	76		
	4.33	Load dimension b ₁₂ x l ₆	b ₁₂ x l ₆ (mm)	800 x 1200		
	4.34.1	Aisle width for pallets 1000mm x 1200mm crossways	Ast (mm)	3111	3258	3406
4.34.2	Aisle width for pallets 800mm x 1200mm lengthwise	Ast (mm)	3227	3374	3522	
4.35	Turning radius	Wa (mm)	1560	1707	1855	
PERFORMANCE	5.1	Travel speed, laden/unladen	km/h	6 / 6		
	5.1.1	Travel speed, laden/unladen, backwards	km/h	6 / 6		
	5.2	Lift speed, laden/unladen	m/s	0,18 / 0,27	0,14 / 0,27	0,13 / 0,27
	5.3	Lowering speed, laden/unladen	m/s	0,33 / 0,27		
	5.8	Max. gradeability, laden/unladen	%	11 / 11	10 / 10	9 / 9
	5.10	Service brake	Electric / Electromagnetic			
ELECTRIC	6.1	Drive motor rating S2 60 min	kW	4		
	6.2	Lift motor rating at S3 15% ⁽⁶⁾	kW	3		
	6.3	Battery according to DIN 43531/35/36 A,B,C, no	no			
	6.4	Battery voltage/nominal capacity K5	V/Ah	24 / 300 ^{(4) (7)}	24 / 400 ⁽⁸⁾	
	6.5	Battery weight ⁽³⁾	kg	233	303	
	6.6	Energy consumption according to DIN EN 16796	kWh/h	1,53	1,97	2,4
	6.7	Turnover output according to VDI 2198	t/h	38	45,6	57
	6.8	Turnover efficiency according to VDI 2198	t/kWh	31		
8.1	Type of drive unit	AC-Controller				
10.7	Sound pressure level at the driver's seat	dB (A)	< 70			

(1) These values may vary of +/- 5%

(2) With free lift of 100mm (2 stage LFL only)

(3) With load backrest for carriage h₄ + 461mm

(4) Available battery 24V / 400Ah (303kg)

(5) Option 35/100/1200

(6) Value referred to S3 10%

(7) Available Li-Ion battery 24V / 180Ah (208kg + ballast 24 kg); Li-Ion battery 24V / 240Ah (214kg + ballast 24kg)

(8) Available Li-Ion battery 24V / 180Ah (208kg + ballast 86kg); Li-Ion battery 24V / 240Ah (214kg + ballast 86kg)

MAST DIMENSIONS – MC SERIES

Height, mast lowered h ₁ ⁽¹⁾ (mm)	Free lift h ₂ (mm)	Lift height h ₃ (mm)	Height, mast extended h ₄ ⁽²⁾ (mm)	Height, overhead guard h ₅ (mm)	Weight ⁽³⁾ (kg)
2-Stage LFL					
1925	100	2572	3161	-	595
2125	100	2972	3561	2262	618
2325	100	3372	3961	2312	640
2475	100	3672	4261	2412	657
2675	100	4072	4661	2612	691
3-Stage FFL					
1875	1305	3876	4451	-	725
1975	1405	4176	4751	-	740
2125	1555	4626	5201	2312	765
2275	1705	5076	5651	2312	792

(1) With free lift of 100mm

(2) With load backrest for carriage h₄ + 461mm

(3) All weights are: mast structures (weldment, cylinders, chain, pulley) + oil.
EXCLUDED: forks, accessories

FEATURES LIST – MC SERIES

CONSTRUCTION	STD	OPT	LIGHTS & ALARMS	STD	OPT
Key Switch Start	●		Blue Pedestrian Awareness Light (P.A.L.) - Forward Activation (Forks Trailing)		●
Keyless Start with Operator Password		●	TELEMETRY	STD	OPT
Standard Construction	●		Yale Vision Wireless Monitoring with Cellular connectivity		●
Cold Store Construction (-30 °C)		●	Yale Vision Wireless Access HID Prox Card Reader		●
BATTERY COMPARTMENT	STD	OPT	Yale Vision Wireless Access iClass MiFare Prox Card Reader		●
Battery Removal without Rollers - Lift Out	●		Yale Vision Wireless Access ISO Prox Card Reader		●
CARRIAGES & ATTACHMENTS	STD	OPT	Yale Vision Wireless Verification		●
Without Load Backrest	●		WARRANTY	STD	OPT
781mm High Load Backrest		●	Warranty: EUR 12 Months / 1,000 Hours Manufacturer's Warranty	●	
DRIVE WHEELS	STD	OPT	Warranty: EUR 36 Months / 3,000 Hours Extended Warranty		●
NDIltthane	●				
Wet Grip		●			
NDIltthane Conductive		●			
OPERATOR COMPARTMENT	STD	OPT			
Clip Board		●			

All values are nominal values and they are subject to tolerances.







About Yale®

Yale Materials Handling Corporation is one of the oldest manufacturers of lift trucks in the world. We've been in the business of lifting since 1875 and we apply that experience to help customers solve materials handling challenges. Our full line of lift trucks range in capacity from 1 to 16 tonne and are powered by internal combustion engines or electric options. Yale also offers robotic solutions, telemetry, fleet management, parts, financing and training. From traditional lift truck equipment to emerging technologies, our goal, every day, is to work with our nationwide dealer network to continually improve and provide the solutions you need, when and how you need them.

MATERIALS HANDLING FOR:

- 3PL
- Auto Parts
- Beverage
- Cold & Frozen Foods
- Food Distribution
- Food Processing
- Furniture & Furnishings
- Health & Pharma
- Home Centres
- Retail
- E-Commerce

Yale Lift Truck Technologies

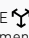
Centennial House
Frimley Business Park
Frimley
Surrey
GU16 7SG
United Kingdom

www.yale.com



Safety: All Yale products sold into EU countries, UK, and Turkey conform to the EU requirements of Machinery Directive 2006/42/EC and contain **CE** marking. Yale trucks sold into other countries may be ordered for production in conformance with Machinery Directive requirements, and when so ordered will contain **CE** marking.

HYSTER-YALE UK LIMITED trading as Yale Lift Truck Technologies. Registered Address: Centennial House, Building 4.5, Frimley Business Park, Frimley, Surrey, GU16 7SG, United Kingdom. Registered in England and Wales. Company Registration Number: 02636775.

©2023 Hyster-Yale Group, Inc., all rights reserved. YALE and YALE  are trademarks of Hyster-Yale Group, Inc. Trucks may be shown with optional equipment and/or features not available in all regions. Truck performance may be affected by the condition of the vehicle, how it is equipped and the application. Specifications are subject to change without notice.

Notice: Care must be exercised when handling elevated loads. Operators must be trained and must read, understand and follow the instructions contained in the Operating Manual. Consult your Yale® Dealer if any of the information shown is critical to your application.

Publication part no. 220991564 Rev.00 (0323DMS) EN