



GDP/GLP 20-35UX

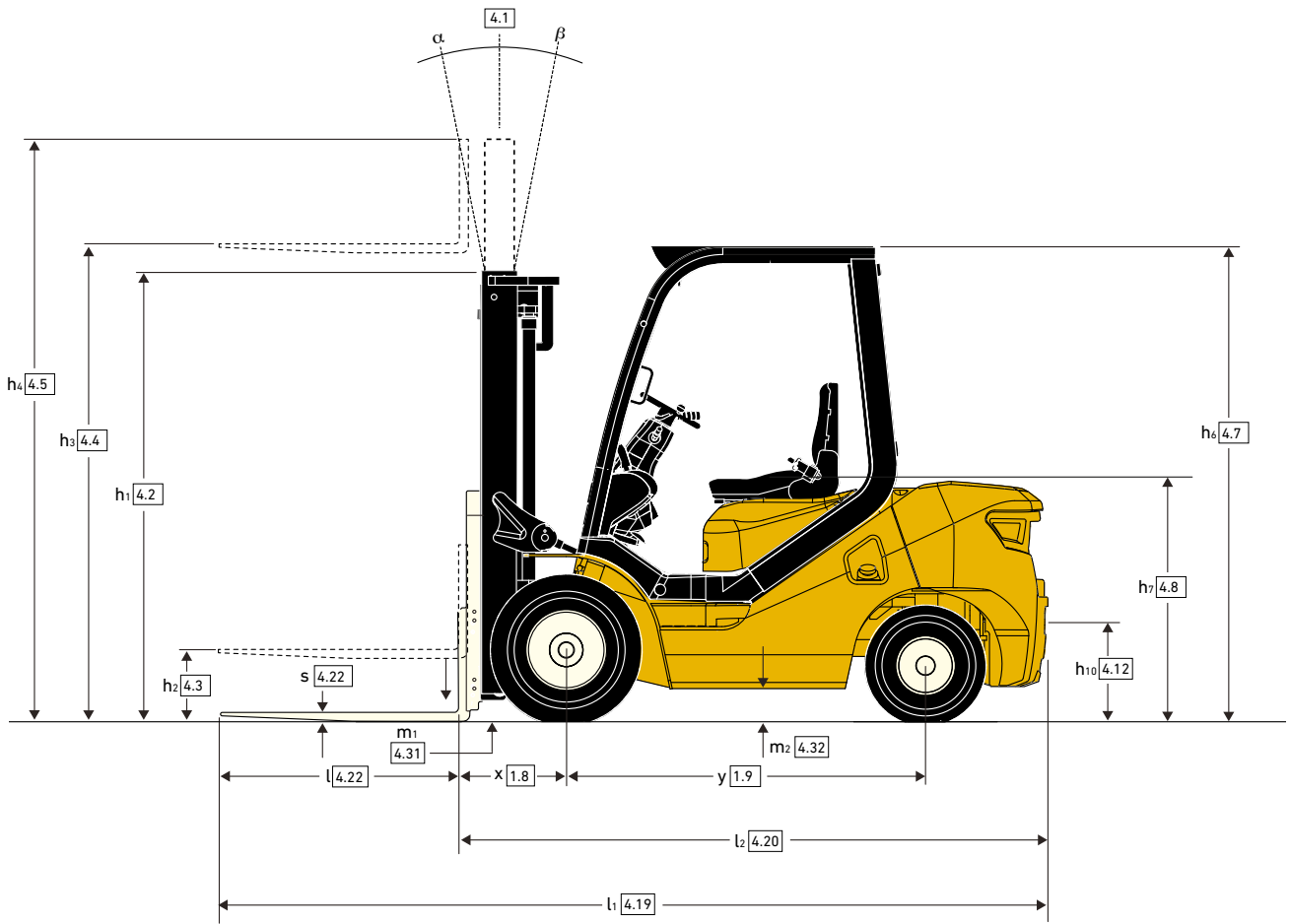
SPEC SHEET

2,000 - 3,500 kg

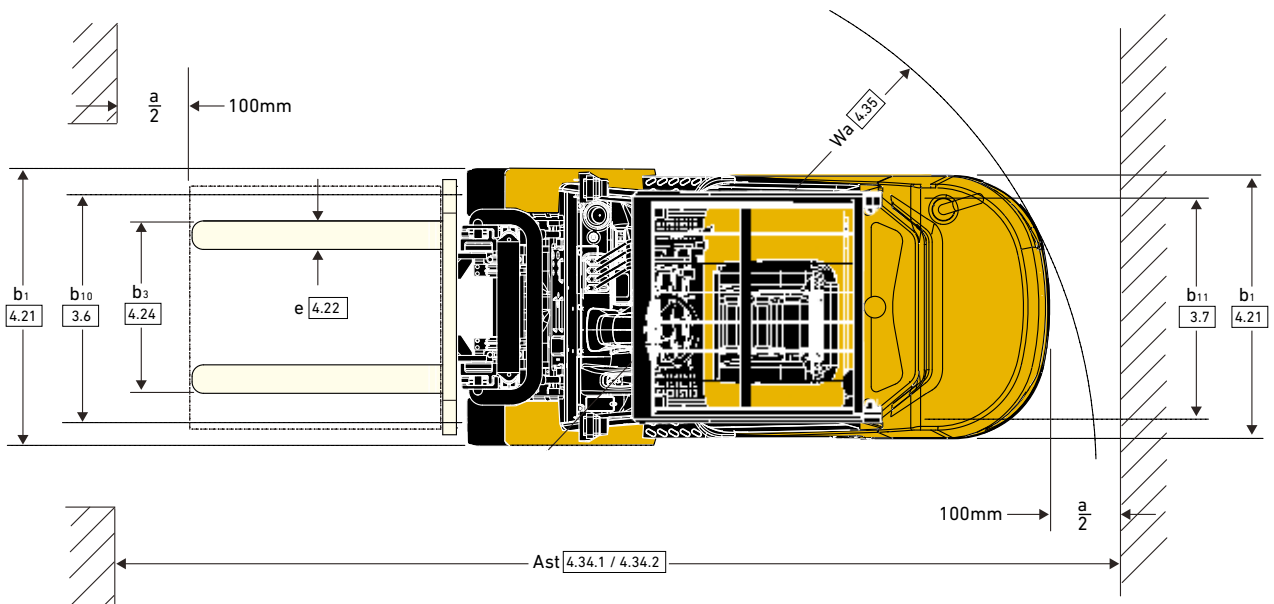
UX Series

Diesel and LPG
Forklift Trucks

TRUCK DIMENSIONS – UX SERIES



TRUCK DIMENSIONS – UX SERIES



VDI 2198 – GENERAL SPECIFICATIONS – UX SERIES

				Yale			
		GDP20UX		GDP25UX			
GENERAL	1.1	Manufacturer					
	1.2	Model designation					
	1.3	Drive	Diesel				
	1.3.1	CE compliance / Emission standards	Stage IIIA	Stage V	Stage IIIA	Stage V	
	1.4	Operator type	Seated				
	1.5	Rated capacity/rated load	Q (t)	2.0	2.5		
	1.6	Load center distance	c (mm)	500			
	1.8	Load distance	x (mm)	475			
	1.9	Wheelbase	y (mm)	1600			
WEIGHT	2.1	Service weight	kg	3390			
	2.2	Axle loading, laden front	kg	4760			
	2.2.1	Axle loading, laden rear	kg	630			
	2.3	Axle loading, unladen front	kg	1540			
	2.3.1	Axle loading, unladen rear	kg	1850			
TYRES	3.1	Tyres, front/rear	Pneumatic				
	3.2	Tyre size, Front	7.00-12-12PR				
	3.3	Tyre size, Rear	6.00-9-10PR				
	3.5	Wheels, number Front/Rear (x=drive wheels)	2X / 2				
	3.6	Standard tread width, Front	b ₁₀ (mm)	970			
	3.7	Standard tread width, Rear	b ₁₁ (mm)	980			
	DIMENSIONS	4.1	Tilt of mast/fork carriage, forward /backward	a / b (o)	6 / 12		
4.2		2LFL mast lowered	h ₁ (mm)	2010			
4.3		2LFL free lift - Bottom of forks	h ₂ (mm)	160			
4.4		2LFL lift - Bottom of forks	h ₃ (mm)	3000			
4.5		Height, mast extended ⁽¹⁾	h ₄ (mm)	3575			
4.7		Height of overhead guard (high/low) ⁽²⁾	h ₆ (mm)	2180			
4.8		Seat height/stand height (SIP from ground - Standard) ⁽³⁾	h ₇ (mm)	1167			
4.12		Coupling height from ground	h ₁₀ (mm)	250			
4.19		Overall length	l ₁ (mm)	3630	3690		
4.20		Length to face of forks standard carriage	l ₂ (mm)	2560	2620		
4.21		Overall width Standard tyre	b ₁ (mm)	1150			
4.21.1		Overall width Dual Tyre	b ₂ (mm)	1590			
4.22		Fork Dimensions DIN ISO 2331	s/e/l (mm)	40 x 122 x 1070			
4.23		Fork carriage ISO 2328. Class/type, A/B		IIA			
4.24		Fork carriage width ⁽⁴⁾	b ₃ (mm)	1040			
4.31		Ground clearance, laden, below mast	m ₁ (mm)	125			
4.32		Ground clearance, centre of wheelbase	m ₂ (mm)	150			
4.34.1		Aisle width with pallets 1000mm x 1200mm crossways (l ₆ x b ₁₂)	Ast (mm)	3966	4026		
4.34.2		Aisle width with pallets 800mm x 1200mm crossways (l ₆ x b ₁₂)	Ast (mm)	3766	3826		
4.35	Outside turning radius	Wa (mm)	2290	2350			
4.36	Internal turning radius	b ₁₃ (mm)	745				
PERFORMANCE	5.1	Travel speed, laden/unladen	km/h	19 / 19	18 / 18	19 / 19	18 / 18
	5.2	Lifting speed laden/unladen	m/s	0.54 / 0.57	0.50 / 0.53	0.56 / 0.61	0.50 / 0.53
	5.3	Lowering speed laden/unladen	m/s	0.43 / 0.40		0.45 / 0.41	0.43 / 0.40
	5.5	Maximum drawbar pull with/without load	N	12774 / 8761	25400 / 15500	12648 / 8450	25400 / 15500
	5.7	Gradeability laden/unladen @ 4.8km/h	%	10.4 / 22.4	20 / 25	8.8 / 19.5	20 / 25
	5.9	Acceleration time, laden/unladen 15m	s	4.6 / 4.5	4.1 / 3.7	4.7 / 4.6	4.3 / 3.8
	ENGINE	7.1	Engine		Yanmar 2.6L	LS 2.5L	Yanmar 2.6L
7.2		Engine power	kW	32.8	42	32.8	42
7.3		Rated speed	min-1	2450	2300	2450	2300
7.4		Number of cylinders / displacement	(-)/cm ³	4 / 2659	4 / 2505	4 / 2659	4 / 2505
7.5		Fuel Consumption according to VDI cycle	l/h or kg/h	2.6	3.7	3.64	3.8
OTHER		10.1	Operating pressure of attachments	bar	0 - 175		
	10.2	Oil volume flow for attachments ⁽⁵⁾	l/min	64	65	64	
	10.3	Hydraulic oil tank capacity - Initial fill	litres	60			
	10.4	Fuel tank, capacity	litres	60			
	10.7	Sound pressure at driver's ear OHG ⁽⁶⁾	dB(A)	84	84.7		84
	10.8	Towing couple type		Pin			

(1) Without load backrest

(2) h₆ subject to +/- 5 mm tolerance. When full-suspension seat or cab is fitted, overhead guard height is raised by 60mm

(3) Full suspension seat specified

(4) Add 32mm with load backrest

(5) Variable

(6) LPAZ, measured according to the test cycles and based on the weighting values contained in EN12053

Specification data is based on VDI 2198, with the following configuration: Complete truck with 3000mm 2-stage limited free lift mast, standard carriage and 1070mm forks, overhead guard and standard pneumatic drive and steer tyres

VDI 2198 – GENERAL SPECIFICATIONS – UX SERIES

GENERAL	1.1	Manufacturer		Yale	
	1.2	Model designation		GDP30UX	
	1.3	Drive		Diesel	
	1.3.1	CE compliance / Emission standards		Stage IIIA	Stage V
	1.4	Operator type		Seated	
	1.5	Rated capacity/rated load	Q (t)	3.0	
	1.6	Load center distance	c (mm)	500	
	1.8	Load distance	x (mm)	490	
	1.9	Wheelbase	y (mm)	1700	
WEIGHT	2.1	Service weight	kg	4300	
	2.2	Axle loading, laden front	kg	6490	
	2.2.1	Axle loading, laden rear	kg	770	810
	2.3	Axle loading, unladen front	kg	1710	
	2.3.1	Axle loading, unladen rear	kg	2590	
TYRES	3.1	Tyres, front/rear		Pneumatic	
	3.2	Tyre size, Front		28x9-15-14PR	
	3.3	Tyre size, Rear		6.50-10-10PR	
	3.5	Wheels, number Front/Rear (x=drive wheels)		2X / 2	
	3.6	Standard tread width, Front	b ₁₀ (mm)	1000	
	3.7	Standard tread width, Rear	b ₁₁ (mm)	970	980
	DIMENSIONS	4.1	Tilt of mast/fork carriage, forward /backward	a / b (o)	6 / 12
4.2		2LFL mast lowered	h ₁ (mm)	2075	
4.3		2LFL free lift - Bottom of forks	h ₂ (mm)	165	
4.4		2LFL lift - Bottom of forks	h ₃ (mm)	3000	
4.5		Height, mast extended ⁽¹⁾	h ₄ (mm)	3640	
4.7		Height of overhead guard (high/low) ⁽²⁾	h ₆ (mm)	2205	
4.8		Seat height/stand height (SIP from ground - Standard) ⁽³⁾	h ₇ (mm)	1192	
4.12		Coupling height from ground	h ₁₀ (mm)	260	
4.19		Overall length	l ₁ (mm)	3765	
4.20		Length to face of forks standard carriage	l ₂ (mm)	2695	
4.21		Overall width Standard tyre	b ₁ (mm)	1210	
4.21.1		Overall width Dual Tyre	b ₂ (mm)	1650	
4.22		Fork Dimensions DIN ISO 2331	s/e/l (mm)	45 x 122 x 1070	
4.23		Fork carriage ISO 2328. Class/type, A/B		IIIA	
4.24		Fork carriage width ⁽⁴⁾	b ₃ (mm)	1100	
4.31		Ground clearance, laden, below mast	m ₁ (mm)	140	
4.32		Ground clearance, centre of wheelbase	m ₂ (mm)	145	
4.34.1		Aisle width with pallets 1000mm x 1200mm crossways (l ₆ x b ₁₂)	Ast (mm)	4126	
4.34.2		Aisle width with pallets 800mm x 1200mm crossways (l ₆ x b ₁₂)	Ast (mm)	3926	
4.35	Outside turning radius	Wa (mm)	2430		
4.36	Internal turning radius	b ₁₃ (mm)	830		
PERFORMANCE	5.1	Travel speed, laden/unladen	km/h	19 / 20	18 / 18
	5.2	Lifting speed laden/unladen	m/s	0.46 / 0.49	0.42 / 0.45
	5.3	Lowering speed laden/unladen	m/s	0.40 / 0.38	0.38 / 0.37
	5.5	Maximum drawbar pull with/without load	N	16094 / 9688	20596 / 14800 (16941 / 9688)
	5.7	Gradeability laden/unladen @ 4.8km/h	%	14 / 18	12.5 / 19
	5.9	Acceleration time, laden/unladen 15m	s	4.6 / 4.5	4.5 / 4.4
	5.9				4.5 / 4.0
ENGINE	7.1	Engine		Yanmar 3.0L	Yanmar 3.3L
	7.2	Engine power	kW	35.5	42.1
	7.3	Rated speed	min-1	2400	2300
	7.4	Number of cylinders / displacement	(-)/cm ³	4 / 3054	4 / 3319
	7.5	Fuel Consumption according to VDI cycle	l/h or kg/h	4.6	4.06
	7.5				4.0
OTHER	10.1	Operating pressure of attachments	bar	0 - 175	
	10.2	Oil volume flow for attachments ⁽⁵⁾	l/min	64	
	10.3	Hydraulic oil tank capacity - Initial fill	litres	70	
	10.4	Fuel tank, capacity	litres	70	
	10.7	Sound pressure at driver's ear OHG ⁽⁶⁾	dB(A)	85	84
	10.8	Towing couple type		Pin	

All values are nominal values and they are subject to tolerances.

VDI 2198 – GENERAL SPECIFICATIONS – UX SERIES

GENERAL	1.1	Manufacturer		Yale		
	1.2	Model designation		GDP35UX		
	1.3	Drive		Diesel		
	1.3.1	CE compliance / Emission standards		Stage IIIA	Stage V	
	1.4	Operator type		Seated		
	1.5	Rated capacity/rated load	Q (t)	3.5		
	1.6	Load center distance	c (mm)	500		
	1.8	Load distance	x (mm)	510		
	1.9	Wheelbase	y (mm)	1700		
WEIGHT	2.1	Service weight	kg	4710		
	2.2	Axle loading, laden front	kg	7250		
	2.2.1	Axle loading, laden rear	kg	960		
	2.3	Axle loading, unladen front	kg	1690		
	2.3.1	Axle loading, unladen rear	kg	3020		
TYRES	3.1	Tyres, front/rear		Pneumatic		
	3.2	Tyre size, Front		28x9-15-14PR		
	3.3	Tyre size, Rear		6.50-10-10PR		
	3.5	Wheels, number Front/Rear (x=drive wheels)		2X / 2		
	3.6	Standard tread width, Front	b ₁₀ (mm)	1000		
	3.7	Standard tread width, Rear	b ₁₁ (mm)	970	980	
	DIMENSIONS	4.1	Tilt of mast/fork carriage, forward /backward	α / β (°)	6 / 12	
4.2		2LFL mast lowered	h ₁ (mm)	2150		
4.3		2LFL free lift - Bottom of forks	h ₂ (mm)	165	170	
4.4		2LFL lift - Bottom of forks	h ₃ (mm)	3000		
4.5		Height, mast extended ⁽¹⁾	h ₄ (mm)	3700		
4.7		Height of overhead guard (high/low) ⁽²⁾	h ₆ (mm)	2205		
4.8		Seat height/stand height (SIP from ground - Standard) ⁽³⁾	h ₇ (mm)	1192		
4.12		Coupling height from ground	h ₁₀ (mm)	260		
4.19		Overall length	l ₁ (mm)	3850		
4.20		Length to face of forks standard carriage	l ₂ (mm)	2780		
4.21		Overall width Standard tyre	b ₁ (mm)	1210		
4.21.1		Overall width Dual Tyre	b ₂ (mm)	1650		
4.22		Fork Dimensions DIN ISO 2331	s/e/l (mm)	50 x 122 x 1070		
4.23		Fork carriage ISO 2328. Class/type, A/B		IIIA		
4.24		Fork carriage width ⁽⁴⁾	b ₃ (mm)	1100		
4.31		Ground clearance, laden, below mast	m ₁ (mm)	140		
4.32		Ground clearance, centre of wheelbase	m ₂ (mm)	145		
4.34.1		Aisle width with pallets 1000mm x 1200mm crossways (l ₆ x b ₁₂)	Ast (mm)	4210		
4.34.2		Aisle width with pallets 800mm x 1200mm crossways (l ₆ x b ₁₂)	Ast (mm)	4010		
4.35	Outside turning radius	Wa (mm)	2500			
4.36	Internal turning radius	b ₁₃ (mm)	830			
PERFORMANCE	5.1	Travel speed, laden/unladen	km/h	19 / 20	18 / 18	
	5.2	Lifting speed laden/unladen	m/s	0.38 / 0.40		
	5.3	Lowering speed laden/unladen	m/s	0.45 / 0.38	0.45 / 0.38	0.38 / 0.37
	5.5	Maximum drawbar pull with/without load	N	16870 / 9676	17739 / 9870	24100 / 17500
	5.7	Gradeability laden/unladen @ 4.8km/h	%	10.9 / 19	13 / 19	17 / 21
	5.9	Acceleration time, laden/unladen 15m	s	5.91 / 4.91	4.8 / 4.2	4.7 / 4.2
ENGINE	7.1	Engine		Yanmar 3.0L	Yanmar 3.3L	LS 2.5L
	7.2	Engine power	kW	35.5	42.1	42
	7.3	Rated speed	min-1	2300		
	7.4	Number of cylinders / displacement	(-)/cm ³	4 / 3319	4 / 3319	4 / 2505
	7.5	Fuel Consumption according to VDI cycle	l/h or kg/h	3.86	4.9	4.2
OTHER	10.1	Operating pressure of attachments	bar	0 - 175		
	10.2	Oil volume flow for attachments ⁽⁵⁾	l/min	64		
	10.3	Hydraulic oil tank capacity - Initial fill	litres	70		
	10.4	Fuel tank, capacity	litres	70		
	10.7	Sound pressure at driver's ear OHG ⁽⁶⁾	dB(A)	83	88.5	84
	10.8	Towing couple type		Pin		

(1) Without load backrest

(2) h₆ subject to +/- 5 mm tolerance. When full-suspension seat or cab is fitted, overhead guard height is raised by 60mm

(3) Full suspension seat specified

(4) Add 32mm with load backrest

(5) Variable

(6) LPAZ, measured according to the test cycles and based on the weighting values contained in EN12053

Specification data is based on VDI 2198, with the following configuration: Complete truck with 3000mm 2-stage limited free lift mast, standard carriage and 1070mm forks, overhead guard and standard pneumatic drive and steer tyres

VDI 2198 – GENERAL SPECIFICATIONS – UX SERIES

		Yale										
		GLP20UX		GLP25UX		GLP30UX		GLP35UX				
GENERAL	1.1	Manufacturer										
	1.2	Model designation										
	1.3	Drive	LPG / Dual Fuel									
	1.3.1	CE compliance / Emission standards	Stage V	Stage IIIA	Stage V	Stage IIIA	Stage V	Stage IIIA	Stage V	Stage IIIA		
	1.4	Operator type	Seated									
	1.5	Rated capacity/rated load	Q (t)	2.0	2.5	3.0	3.5					
	1.6	Load center distance	c (mm)	500								
	1.8	Load distance	x (mm)	475			490		510			
	1.9	Wheelbase	y (mm)	1600			1700		1700			
WEIGHT	2.1	Service weight	kg	3390	3650	4300	4710					
	2.2	Axle loading, laden front	kg	4760	5400	6490		7250				
	2.2.1	Axle loading, laden rear	kg	630	650	810		960				
	2.3	Axle loading, unladen front	kg	1540	1500	1710		1690				
	2.3.1	Axle loading, unladen rear	kg	1850	2150	2590		3020				
TYRES	3.1	Tyres, front/rear	Pneumatic									
	3.2	Tyre size, Front	7.00-12-12PR				6.50-10-10PR					
	3.3	Tyre size, Rear	6.00-9-10PR				28x9-15-14PR					
	3.5	Wheels, number Front/Rear (x=drive wheels)	2X / 2									
	3.6	Standard tread width, Front	b ₁₀ (mm)	970			1000					
	3.7	Standard tread width, Rear	b ₁₁ (mm)	980			970					
	DIMENSIONS	4.1	Tilt of mast/fork carriage, forward /backward	α / β (°)	6 / 12							
4.2		2LFL mast lowered	h ₁ (mm)	2010			2075		2150			
4.3		2LFL free lift - Bottom of forks	h ₂ (mm)	160			165					
4.4		2LFL lift - Bottom of forks	h ₃ (mm)	3000								
4.5		Height, mast extended ⁽¹⁾	h ₄ (mm)	3575			3640		3700			
4.7		Height of overhead guard (high/low) ⁽²⁾	h ₆ (mm)	2180			2205					
4.8		Seat height/stand height (SIP from ground - Standard) ⁽³⁾	h ₇ (mm)	1167			1192					
4.12		Coupling height from ground	h ₁₀ (mm)	250			260					
4.19		Overall length	l ₁ (mm)	3630	3690		3765		3850			
4.20		Length to face of forks standard carriage	l ₂ (mm)	2560		2620		2695		2780		
4.21		Overall width Standard tyre	b ₁ (mm)	1150								
4.21.1		Overall width Dual Tyre	b ₂ (mm)	1590				1650				
4.22		Fork Dimensions DIN ISO 2331	s/e/l (mm)	40 x 122 x 1070			45 x 122 x 1070		50 x 122 x 1070			
4.23		Fork carriage ISO 2328. Class/type, A/B	IIA				IIIA					
4.24		Fork carriage width ⁽⁴⁾	b ₃ (mm)	1040			1100					
4.31		Ground clearance, laden, below mast	m ₁ (mm)	125			140					
4.32		Ground clearance, centre of wheelbase	m ₂ (mm)	150			145					
4.34.1	Aisle width with pallets 1000mm x 1200mm crossways (l ₆ x b ₁₂)	Ast (mm)	3966		4026		4126		4210			
4.34.2	Aisle width with pallets 800mm x 1200mm crossways (l ₆ x b ₁₂)	Ast (mm)	3766		3826		3926		4010			
4.35	Outside turning radius	Wa (mm)	2290		2350		2430		2500			
4.36	Internal turning radius	b ₁₃ (mm)	745				830					
PERFORMANCE	5.1	Travel speed, laden/unladen	km/h	19 / 19				19 / 20	18 / 20	19 / 20	18 / 20	
	5.2	Lifting speed laden/unladen	m/s	0.57 / 0.60	0.50 / 0.53	0.57 / 0.60	0.42 / 0.54	0.50 / 0.53	0.40 / 0.43	0.40 / 0.43	0.33 / 0.36	
	5.3	Lowering speed laden/unladen	m/s	0.43 / 0.40	0.43 / 0.40	0.43 / 0.40	0.45 / 0.41	0.40 / 0.38	0.40 / 0.38	0.45 / 0.38	0.45 / 0.38	
	5.5	Maximum drawbar pull with/without load	N	23500 / 15500	16651 / 8761	22500 / 15500	16790 / 8450	17500 / 15000	17480 / 17480	17700 / 14000	16679 / 9870	
	5.7	Gradeability laden/unladen @ 4.8km/h	%	25 / 25		13.1 / 22.4	20 / 22	11 / 19.5	17 / 20	13 / 19	14 / 20	10 / 19.5
	5.9	Acceleration time, laden/unladen 15m	s	4.10 / 3.80	6.0 / 5.0		4.80 / 4.30	6.25 / 5.25	4.80 / 4.20	5.9 / 4.9	6.06 / 4.9	6.2 / 5.2
ENGINE	7.1	Engine	PSI 2.4L	GCT K25	PSI 2.4L	GCT K25	PSI 2.4L	GCT K25	PSI 2.4L	GCT K25		
	7.2	Engine power	kW	48	37.4	48	37.4	48	37.4	48	37.4	
	7.3	Rated speed	min-1	2700	2300	2700	2300	2700	2300	2700	2300	
	7.4	Number of cylinders / displacement	(-)/cm ³	4 / 2350		4 / 2488		4 / 2350		4 / 2488		
	7.5	Fuel Consumption according to VDI cycle	l/h or kg/h	3.96	3.5	4.2	4.96	4.56	3.5	4.9	4.3	
OTHER	10.1	Operating pressure of attachments	bar	0 - 175								
	10.2	Oil volume flow for attachments ⁽⁵⁾	l/min	64								
	10.3	Hydraulic oil tank capacity - Initial fill	litres	60				70				
	10.4	Fuel tank, capacity	litres	60				70				
	10.7	Sound pressure at driver's ear OHG ⁽⁶⁾	dB(A)	84								
	10.8	Towing couple type	Pin									

(1) Without load backrest

(2) h₆ subject to +/- 5 mm tolerance. When full-suspension seat or cab is fitted, overhead guard height is raised by 60mm

(3) Full suspension seat specified

(4) Add 32mm with load backrest

(5) Variable

(6) LPAZ, measured according to the test cycles and based on the weighting values contained in EN12053

Specification data is based on VDI 2198, with the following configuration: Complete truck with 3000mm 2-stage limited free lift mast, standard carriage and 1070mm forks, overhead guard and standard pneumatic drive and steer tyres

All values are nominal values and they are subject to tolerances.

MAST DIMENSIONS – GP20UX

Maximum Fork Lift (mm)	Lowered Height (mm)	Lift Height without LBR (mm)	Lift Height with LBR (mm)	Free Lift without LBR (mm)	Free Lift with LBR (mm)	Load Distance (mm)	Tilt		Weight, 500mm LC Single Tyre (kg)	Weight, 500mm LC Dual Tyres (kg)
							F	B		
2-Stage Limited Free-Lift (LFL) Mast										
3000	2010	3575	3990	160	160	465	6	12	2000	2000
3300	2160	3875	4290	160	160	465	6	12	2000	2000
3700	2360	4275	4690	160	160	465	6	6	2000	2000
4000	2560	4575	4990	160	160	465	6	6	2000	2000
3-Stage Full Free-Lift (FFL) Mast										
4500	2060	5017	5490	1440	1070	485	6	6	1500	1800
4800	2160	5317	5790	1540	1170	485	6	6	1250	1700
5500	2425	6017	6490	1800	1430	485	3	6	850	1350
6000	2610	6517	6990	1990	1620	485	3	6	700	1100
6500	2825	7017	7490	2215	1835	485	3	6	400	800

MAST DIMENSIONS – GP25UX

Maximum Fork Lift (mm)	Lowered Height (mm)	Lift Height without LBR (mm)	Lift Height with LBR (mm)	Free Lift without LBR (mm)	Free Lift with LBR (mm)	Load Distance (mm)	Tilt		Weight, 500mm LC Single Tyre (kg)	Weight, 500mm LC Dual Tyres (kg)
							F	B		
2-Stage Limited Free-Lift (LFL) Mast										
3000	2010	3575	3990	160	160	465	6	12	2500	2500
3300	2160	3875	4290	160	160	465	6	12	2500	2500
3700	2360	4275	4690	160	160	465	6	6	2500	2500
4000	2560	4575	4990	160	160	465	6	6	2500	2500
3-Stage Full Free-Lift (FFL) Mast										
4500	2060	5017	5490	1440	1070	485	6	6	2000	2300
4800	2160	5317	5790	1540	1170	485	6	6	1700	2000
5500	2425	6017	6490	1800	1430	485	3	6	1100	1800
6000	2610	6517	6990	1990	1620	485	3	6	800	1300
6500	2825	7017	7490	2215	1835	485	3	6	500	1000

MAST DIMENSIONS – GP30UX

Maximum Fork Lift (mm)	Lowered Height (mm)	Lift Height without LBR (mm)	Lift Height with LBR (mm)	Free Lift without LBR (mm)	Free Lift with LBR (mm)	Load Distance (mm)	Tilt		Weight, 500mm LC Single Tyre (kg)	Weight, 500mm LC Dual Tyres (kg)
							F	B		
2-Stage Limited Free-Lift (LFL) Mast										
3000	2075	3640	4100	165	165	490	6	12	3000	3000
3300	2225	3940	4400	165	165	490	6	12	3000	3000
3700	2425	4340	4800	165	165	490	6	6	3000	3000
4000	2625	4640	5100	165	165	490	6	6	3000	3000
3-Stage Full Free-Lift (FFL) Mast										
4500	2125	5100	5600	1525	1025	505	6	6	2500	2700
4800	2225	5400	5900	1625	1125	505	6	6	2250	2450
5500	2490	6100	6600	1880	1380	505	3	6	1600	2050
6000	2675	6600	7100	2075	1575	505	3	6	1200	1900
6500	2890	7100	7600	2260	1790	505	3	6	700	1300

MAST DIMENSIONS – GP35UX

Maximum Fork Lift (mm)	Lowered Height (mm)	Lift Height without LBR (mm)	Lift Height with LBR (mm)	Free Lift without LBR (mm)	Free Lift with LBR (mm)	Load Distance (mm)	Tilt		Weight, 500mm LC Single Tyre (kg)	Weight, 500mm LC Dual Tyres (kg)
							F	B		
2-Stage Limited Free-Lift (LFL) Mast										
3000	2150	3700	4100	170	170	510	6	12	3500	3500
3300	2300	4000	4400	170	170	510	6	12	3500	3500
3700	2500	4400	4800	170	170	510	6	6	3500	3500
4000	2700	4700	5100	170	170	510	6	6	3300	3500
3-Stage Full Free-Lift (FFL) Mast										
4500	2200	5140	5600	1560	1100	520	6	6	2800	3000
4800	2300	5440	5900	1660	1200	520	6	6	2500	2750
5500	2565	6140	6600	1915	1455	520	3	6	1700	2200
6000	2750	6640	7100	2110	1650	520	3	6	1300	2100
6500	2965	7100	7600	2290	1830	520	3	6	800	1500

All values are nominal values and they are subject to tolerances.



FEATURES LIST – UX SERIES

	STD	OPT		STD	OPT
Engines:			Steering Wheel with Spinning Knob	●	
LS 2.5L Diesel - Stage V,			Power Steering and Tilt Adjustable Steering Column	●	
PSI 2.4L LPG / Dual Fuel - Stage V,	●		Key Switch Start	●	
Yanmar 2.6L, 3.0L and 3.3L Diesel - Stage IIIA			Entry Grab Handle	●	
GCT K25 LPG/ Dual Fuel - Stage IIIA			Dash Display:		
Transmission: Powershift, 1-Speed	●		Fuel Gauge (Diesel/Dual - Fuel), LCD Hour Meter, Water Temperature / Oil Temperature / Transmission Oil Level Warning Lights	●	
Upswept exhaust		●	Load Backrest	●	
Air Intake with Pre-cleaner		●	Strobe Light (magnetically mounted)	●	
Mast: 2-stage LFL Mast 3000mm	●		LED Light Kit - 2 x Front Work, 2 x Front Turn, Rear Turn / Tail / Brake / Reverse	●	
Masts: 2-stage LFL and 3-stage FFL		●	Rear Work Light		●
Carriage: 1038mm Class II or 1100mm Class II or III	●		Counterweight Exhaust	●	
Carriages: 1200, 1500mm (Class II - III)		●	Radiator with Transmission Oil Cooler	●	
Forks: 1070 x 122 x 40mm Class II or 1070 x 122 x 45 / 50mm Class III	●		Cyclonic Air Filter	●	
Forks: 1220mm (Class II - III)		●	Fixed Tank Bracket (LPG Trucks)	●	
Pneumatic Tyres:			Fuel Tank Capacity - UT20-25P = 60L, UT30-35P = 70L	●	
Drive - 7.00 x 12-12PR or 28 x 9-15-14PR	●		Toolbox	●	
Steer - 6.00 x 9-10PR or 6.50 x 10-10PR			Towing Pin	●	
Dual Drive Wheels and Fender Extensions		●	Operator Manual	●	
Superelastic Drive and Steer Tyres		●	12 Months / 2000 Hours Manufacturer's Warranty	●	
Non-Marking Superelastic Drive and Steer tyres		●	Twin USB ports	●	
Two Function Cowl Mounted Manual Lever - Lift / Tilt	●		Cab with/without Heater	●	
Integral Sideshift		●	Side Mirrors	●	
Valve and Hose Groups - 3 and 4 way		●	Audible Reverse Alarm	●	
Forward / Reverse Directional Lever	●				
Rear/reversing handle		●			
Manual Park Brake	●				
Three Pedal Layout with Mechanical Inching	●				
Non-Suspension Seat (Vinyl) with Seat Belt	●				
Full Suspension Seat		●			

All values are nominal values and they are subject to tolerances.





About Yale®

Yale Materials Handling Corporation is one of the oldest manufacturers of lift trucks in the world. We've been in the business of lifting since 1875 and we apply that experience to help customers solve materials handling challenges. Our full line of lift trucks range in capacity from 1 to 16 tonne and are powered by internal combustion engines or electric options. Yale also offers robotic solutions, telemetry, fleet management, parts, financing and training. From traditional lift truck equipment to emerging technologies, our goal, every day, is to work with our nationwide dealer network to continually improve and provide the solutions you need, when and how you need them.

MATERIALS HANDLING FOR:

- 3PL
- Auto Parts
- Beverage
- Cold & Frozen Foods
- Food Distribution
- Food Processing
- Furniture & Furnishings
- Health & Pharma
- Home Centres
- Retail
- E-Commerce

Yale Lift Truck Technologies

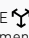
Centennial House
Frimley Business Park
Frimley
Surrey
GU16 7SG
United Kingdom

www.yale.com



Safety: All Yale products sold into EU countries, UK, and Turkey conform to the EU requirements of Machinery Directive 2006/42/EC and contain **CE** marking. Yale trucks sold into other countries may be ordered for production in conformance with Machinery Directive requirements, and when so ordered will contain **CE** marking.

HYSTER-YALE UK LIMITED trading as Yale Lift Truck Technologies. Registered Address: Centennial House, Building 4.5, Frimley Business Park, Frimley, Surrey, GU16 7SG, United Kingdom. Registered in England and Wales. Company Registration Number: 02636775.

©2023 Hyster-Yale Group, Inc., all rights reserved. YALE and YALE  are trademarks of Hyster-Yale Group, Inc. Trucks may be shown with optional equipment and/or features not available in all regions. Truck performance may be affected by the condition of the vehicle, how it is equipped and the application. Specifications are subject to change without notice.

Notice: Care must be exercised when handling elevated loads. Operators must be trained and must read, understand and follow the instructions contained in the Operating Manual. Consult your Yale® Dealer if any of the information shown is critical to your application.

Publication part no. 220991932 Rev.00 (0323DMS) EN